



# HOBARTS

Machinery | Materials | Manufacturing

## VLS6.60

32" x 18" Work Area

Phone 0333 900 8700

Fax 0333 900 8701



### Uniquely Universal Features

#### Laser Interface+™

Universal Laser Systems has developed the world's most advanced, powerful and flexible laser print driver.

#### 1-Touch Laser Photo™

We developed this software to make any photographic image suitable for laser engraving.

#### Universal Laser Sources

Our exclusive line of patented CO2 Free-Space Gas Slab Lasers is designed specifically for the needs of laser cutting, engraving, graphic imaging and marking applications.

#### High Power Density Focusing Optics™

These optics allow the laser beam to be focused to a much smaller spot, producing sharper images at tighter tolerances.

#### Rapid Reconfiguration™

Every laser cartridge we produce is factory pre-aligned for easy integration into any of our laser platforms.



### Platform Overview

The largest in the VLS platform line, the VLS6.60 has a wide and deep engraving area that can accommodate a variety of materials. The VLS6.60 offers a choice of six laser cartridges ranging in power from 10-60 watts. The material processing envelope of 32" x 18" x 9", 5,184 in3 (813 x 457 x 229mm, 84,950 cm3) makes the VLS6.60 a versatile laser engraving solution for most award and sign shops. In addition to the basic capabilities of the machine, there are a number of patented Uniquely Universal features that are only available from Universal Laser Systems. Laser Interface+ and Rapid Reconfiguration are Uniquely Universal features that come standard on the VLS6.60, and a number of additional options are available to enhance your laser processing capabilities. All Universal laser platforms use interchangeable components, giving you the ability to tailor your system to fit your needs.

#### HOBARTS LASER SUPPLIES LTD

HOBART HOUSE | LITTLE MARKET ROW | LEYBOURNE | WEST MALLING | KENT ME19 5QL | UNITED KINGDOM

Registered at the above address number 4771057

VAT GB 825 3174 38

[sales@hobarts.com](mailto:sales@hobarts.com)

[www.hobarts.com](http://www.hobarts.com)

## VLS6.60

32" x 18" (812mm x 457mm)

### System Specifications

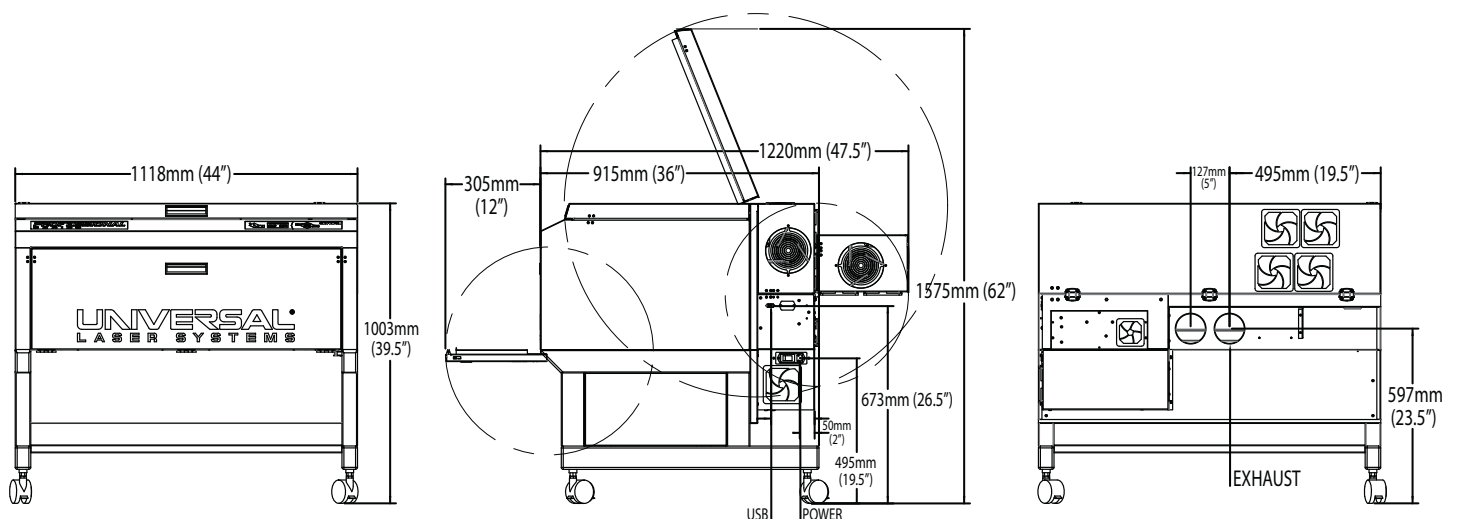
Work Surface Area	32 x 18 in (813 x 457mm)
Maximum Part Size	37 x 23 x 9 in (940 x 584 x 229mm)
Dimensions	44 x 39 x 36 in (1118 x 991 x 914 mm)
Rotary Capacity	Max Diameter 8 in (203 mm)
Motorized Z Axis Lifting Capacity	40 lbs (18 kg)
Available Focus Lenses CO2	1.5 in (38 mm) 2.0 in (51 mm) *standard 2.5 in (64 mm) 4.0 in (102 mm)
Laser Platform Interface Panel	Five button keypad
Operating System Compatibility	Requires a dedicated PC to operate. Compatible with Windows XP/Vista/7 32/64 bit
PC Connection	USB 2.0
Optics Protection	Air Assist Available
Cabinet Style	Floor-Standing
Laser Options	10, 25, 30, 40, 50, and 60 Watts
Approximate Weight	325 lbs (147 kg)
Power Requirements	110V/10A or 220V-240V/15A
Exhaust Connection	Two 4 in (102 mm) ports 500 CFM @ 6 in static pressure (850 m3/hr at 1.5 kPa)

### System Features

- Laminated Safety Glass
- Over-temp Alarm (for fire safety)
- Multiple Automatic Focusing Modes
- Precision Digital Motors
- LCD display
- Wraparound Top and Front Door
- Multiple Language Support
- Permanently Sealed Bearings
- Proportional Pulse Control
- Stretch-Free Kevlar® Belts

### Laser Features

- Laser Fan Control (to reduce noise)
- Smart Lasers
- Laser Pointer
- Wide Selection of Power Levels
- Air-Cooled Laser Cartridge
- Patented Permalign™
- No Optical Beam Alignment Required
- Patented Cross-Platform Compatibility
- Patented Free-Space Gas Slab Laser Design
- High Reliability, Excellent Power Stability
- Warranty Available Up To 5 Years



### HOBARTS LASER SUPPLIES LTD

HOBART HOUSE | LITTLE MARKET ROW | LEYBOURNE | WEST MALLING | KENT ME19 5QL | UNITED KINGDOM

Registered at the above address number 4771057 VAT GB 825 3174 38 [sales@hobarts.com](mailto:sales@hobarts.com) [www.hobarts.com](http://www.hobarts.com)